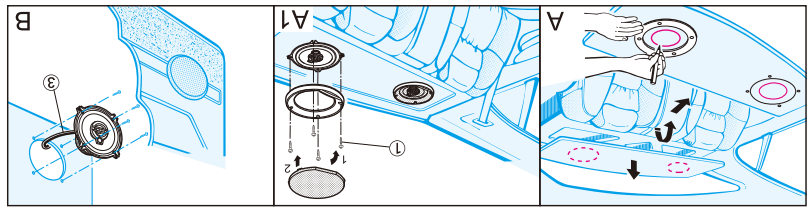
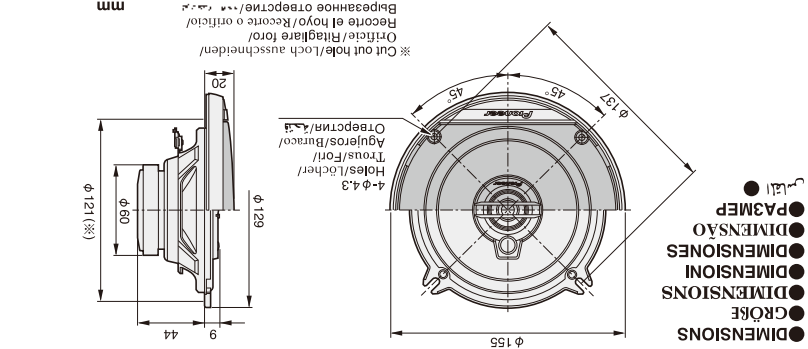
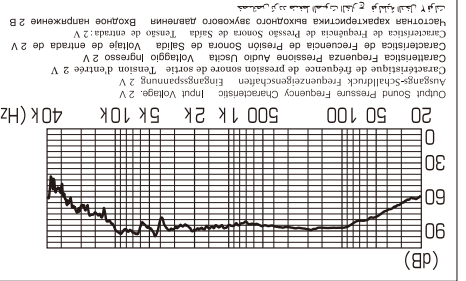


TS-G1330F/XIEL5 THF5802-C/VI

PIONEER CORPORATION 2017 28-8, Hongo-komago 2-chome, Bunkyo-ku, Tokyo 113-0021, JAPAN / JAPAN / MADE IN VIETNAM FABRICATION AU VIETNAM / PIONEER AU VIETNAM / PIONEER ESTABLISHED IN VIETNAM



●SPECIFICATIONS

CHARACTERISTICS	CHARACTERÍSTICAS	CHARACTERISTICHE	CHARACTERISTICA	CHARACTERÍSTIKAS	ХАРАКТЕРИСТИКИ
Power (100 W / 33 Hz ~ 24 kHz) [± 1.5 dB]..... 250 W	Power (100 W / 33 Hz ~ 24 kHz) [± 1.5 dB]..... 250 W	Power (100 W / 33 Hz ~ 24 kHz) [± 1.5 dB]..... 250 W	Power (100 W / 33 Hz ~ 24 kHz) [± 1.5 dB]..... 250 W	Power (100 W / 33 Hz ~ 24 kHz) [± 1.5 dB]..... 250 W	Power (100 W / 33 Hz ~ 24 kHz) [± 1.5 dB]..... 250 W
Power (50 W / 33 Hz ~ 24 kHz) [± 1.5 dB]..... 35 W	Power (50 W / 33 Hz ~ 24 kHz) [± 1.5 dB]..... 35 W	Power (50 W / 33 Hz ~ 24 kHz) [± 1.5 dB]..... 35 W	Power (50 W / 33 Hz ~ 24 kHz) [± 1.5 dB]..... 35 W	Power (50 W / 33 Hz ~ 24 kHz) [± 1.5 dB]..... 35 W	Power (50 W / 33 Hz ~ 24 kHz) [± 1.5 dB]..... 35 W
Power (10 W / 33 Hz ~ 24 kHz) [± 1.5 dB]..... 35 W	Power (10 W / 33 Hz ~ 24 kHz) [± 1.5 dB]..... 35 W	Power (10 W / 33 Hz ~ 24 kHz) [± 1.5 dB]..... 35 W	Power (10 W / 33 Hz ~ 24 kHz) [± 1.5 dB]..... 35 W	Power (10 W / 33 Hz ~ 24 kHz) [± 1.5 dB]..... 35 W	Power (10 W / 33 Hz ~ 24 kHz) [± 1.5 dB]..... 35 W
Power (5 W / 33 Hz ~ 24 kHz) [± 1.5 dB]..... 35 W	Power (5 W / 33 Hz ~ 24 kHz) [± 1.5 dB]..... 35 W	Power (5 W / 33 Hz ~ 24 kHz) [± 1.5 dB]..... 35 W	Power (5 W / 33 Hz ~ 24 kHz) [± 1.5 dB]..... 35 W	Power (5 W / 33 Hz ~ 24 kHz) [± 1.5 dB]..... 35 W	Power (5 W / 33 Hz ~ 24 kHz) [± 1.5 dB]..... 35 W

Be sure to read this instruction manual before installing this speaker. **Prima di installare l'altoparlante leggere attentamente le istruzioni.** **Obazrite pažljivo proučite ovo uputstvo pred postavljanjem.** **Bitte lesen Sie diese Anweisung vor dem Einbau des Lautsprechers.** **Avant de installer le haut-parleur, veuillez lire attentivement les instructions.** **Les haut-parleurs. Lire ce manuel destructions avant de installer le haut-parleur.** **Прежде чем установить динамик, внимательно прочтите эти инструкции.**

TS-G1330F 250W MAX HP 3 VOIES



- Membrane renforcée Mica IMPP
 - Suspension caoutchouc
 - Bobine haute résistance
- Ces produits ont été conçus pour reproduire un son de qualité et pour s'installer dans un grand nombre de véhicules.
- Wide Application

●PUISSANCE MUSICALE MAXIMUM 250 W ●IMPEDANCE 4 OHMS
 ●PUISSANCE NOMINALE 35 W ●SENSIBILITE 88 DB [± 1,5 DB]
 ●HP GRAVE Ø130 mm ●BANDÉ PASSANTE 33 Hz À 24 KHz [± 20 DB]
 ●HP AIGU Ø10 mm DÔME ●POIDS BRUT 0,95 kg

●HOW TO INSTALL ●ENBAU ●MODE D'INSTALLATION ●MODO DI INSTALLAZIONE
 ●INSTALLACION ●KAK ПОДКЛЮЧИТЬ ●KAK ПОДКЛЮЧИТЬ ●KAK ПОДКЛЮЧИТЬ



250 W MAX

13 cm / 5 1/4"

Wide Application

TS-G1330F

3-WAY SPEAKER / HP 3 VOIES
 DIFFUSORE 3 VIE / ALTO-FALANTE 3 VIAS
 3-ПОЛОСНЫЙ ДИНАМИК

- Mica Reinforced IMPP Cone
- High Compliance Rubber Coated Cloth Surround
- Heat Resistant Voice Coil



TS-G1330F 3-WAY SPEAKER

- MAX. MUSIC POWER 250 W
- NOMINAL POWER 35 W
- WOOFER Ø130 mm
- MIDRANGE Ø30 mm BALANCED DOME
- TWEETER Ø10 mm DOME
- IMPEDANCE 4 OHMS
- SENSITIVITY 88 dB [± 1.5 dB]
- FREQUENCY RESPONSE 33 Hz TO 24 kHz [± 20 dB]
- GROSS WEIGHT 0.95 kg

TS-G1330F

3-WAY SPEAKER / 3-ПОЛОСНЫЙ ДИНАМИК

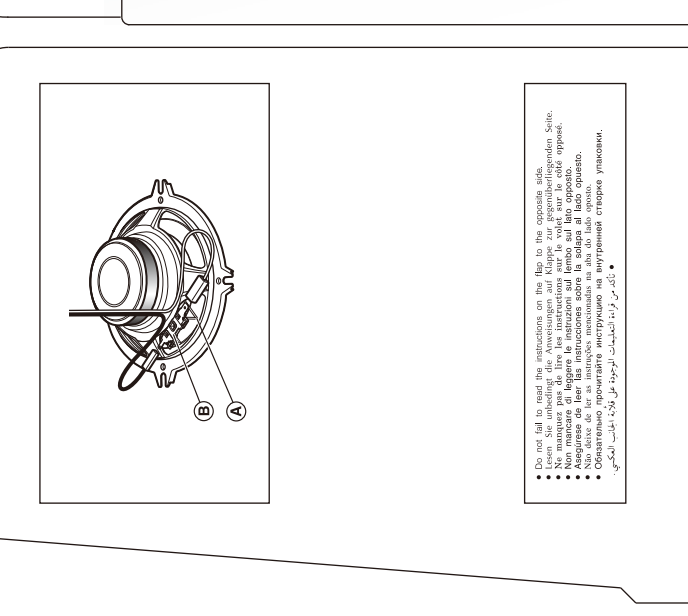


THF5802-C/VI
 THF5802-C/VI
 THF5802-C/VI
 THF5802-C/VI

●HOW TO INSTALL ●ENBAU ●MODE D'INSTALLATION ●MODO DI INSTALLAZIONE
 ●INSTALLACION ●KAK ПОДКЛЮЧИТЬ ●KAK ПОДКЛЮЧИТЬ ●KAK ПОДКЛЮЧИТЬ

TS-G1330F

HP 3 VOIES



WARRANTY: Pioneer warrants that the product is free from defects in materials and workmanship under normal use and service for the period specified in this warranty. This warranty does not cover damage to the product caused by accident, misuse, abuse, neglect, or unauthorized repairs. The warranty is limited to the repair or replacement of defective parts at the discretion of Pioneer. For complete terms and conditions, please refer to the warranty booklet enclosed with the product.