



**R2-Series SUBWOOFER**  
**HAUT-PARLEUR D'EXTRÊMES GRAVES R2-Series**  
**APPLICATION GUIDE**  
**GUIDE D' APPLICATION**

**R2-W12D4**

12 Inch Dual Voice Coil Subwoofer (4Ω)+(4Ω)  
Haut-parleur d'extrêmes graves à double bobine 12 po (4Ω)+(4Ω)

---

**R2-W12D2**

12 Inch Dual Voice Coil Subwoofer (2Ω)+(2Ω)  
Haut-parleur d'extrêmes graves à double bobine 12 po (2Ω)+(2Ω)

---

**R2-W10D4**

10 Inch Dual Voice Coil Subwoofer (4Ω)+(4Ω)  
Haut-parleur d'extrêmes graves à double bobine 10 po (4Ω)+(4Ω)

---

**R2-W10D2**

10 Inch Dual Voice Coil Subwoofer (2Ω)+(2Ω)  
Haut-parleur d'extrêmes graves à double bobine 10 po (2Ω)+(2Ω)

---

**R2-W8D4**

8 Inch Dual Voice Coil Subwoofer (4Ω)+(4Ω)  
Haut-parleur d'extrêmes graves à double bobine 8 po (4Ω)+(4Ω)

---

**R2-W8D2**

8 Inch Dual Voice Coil Subwoofer (2Ω)+(2Ω)  
Haut-parleur d'extrêmes graves à double bobine 8 po (2Ω)+(2Ω)

---



**Reinforced Parabolic Cone Structure with  
Pulp/Kevlar Cone & PP/Ceramic Dust Cap**

**High Amplitude Multi-Roll  
Santoprene® Surround**  
(US Pat #8,208,677)

**Twist-Lock  
EZ-Change  
Grille System**

**Custom-Designed  
Cast Aluminum  
Frame**

**Perimeter Venting with  
Airflow Management  
System** (US Pat #7,684,585)

**High-Excursion Overhung  
Voice Coil Configuration**

**Compound Radius Curve  
Extended Pole Geometry**  
(US Pat #6,639,993)

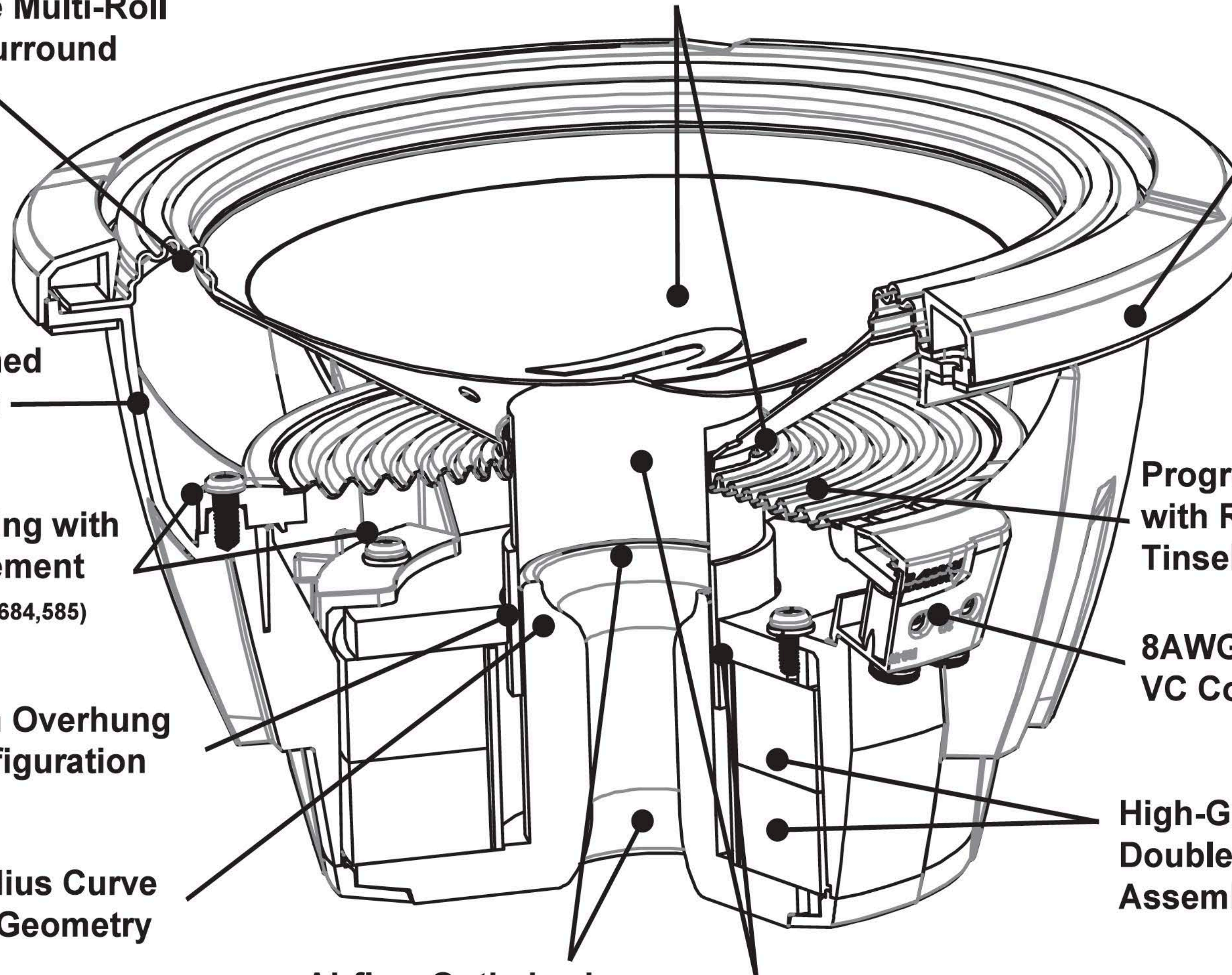
**Progressive Spider  
with Reinforced Layer  
Tinsel Leads** (US Pat #6,810,988)

**8AWG Push Terminals with  
VC Configuration Jumpers**

**High-Grade Strontium Ferrite  
Double-Stacked Magnet  
Assembly**

**Airflow Optimized  
Dual Flare Pole Vent**

**65mm Voice Coil with High-Temp  
4-Layer DVC Winding on AL Former**

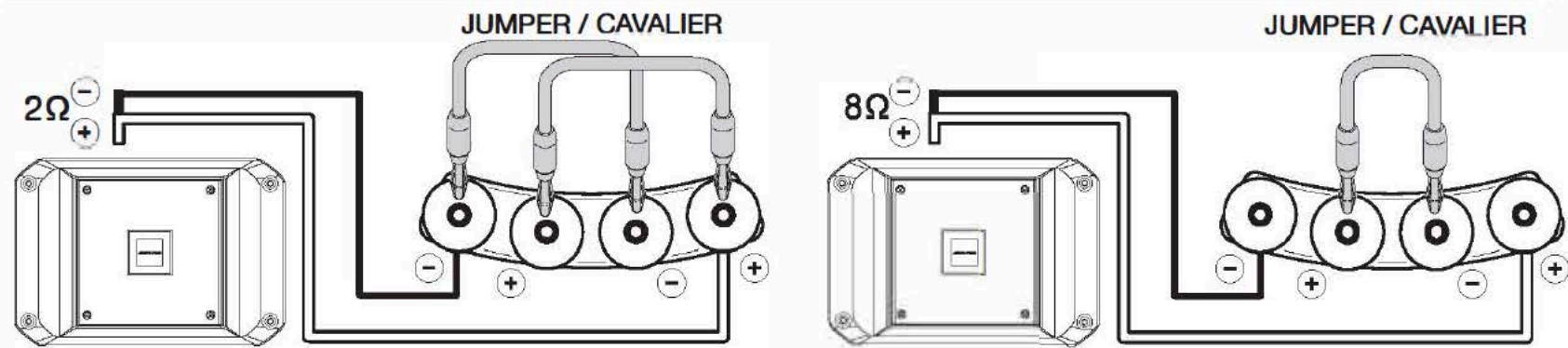




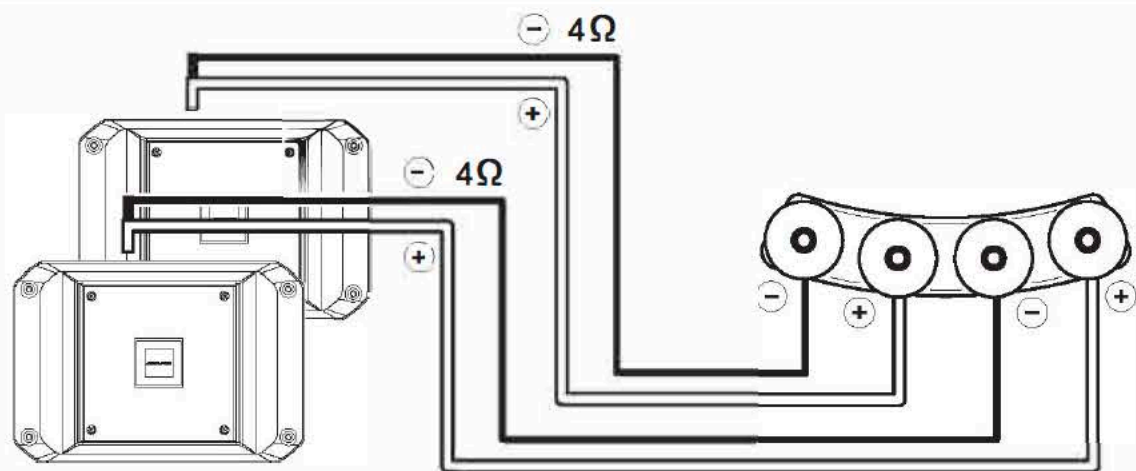


**4 + 4**

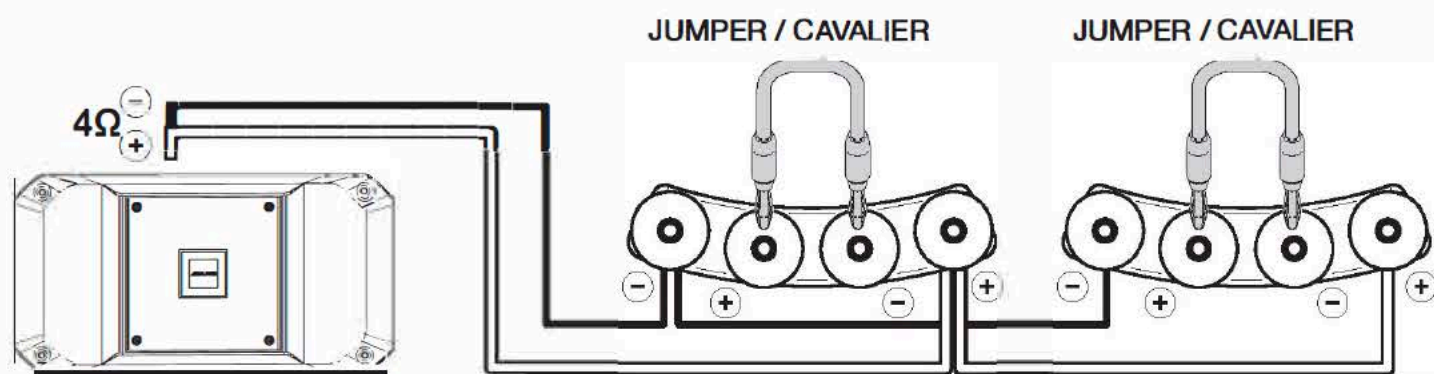
**Example 1** One Amplifier + One Subwoofer



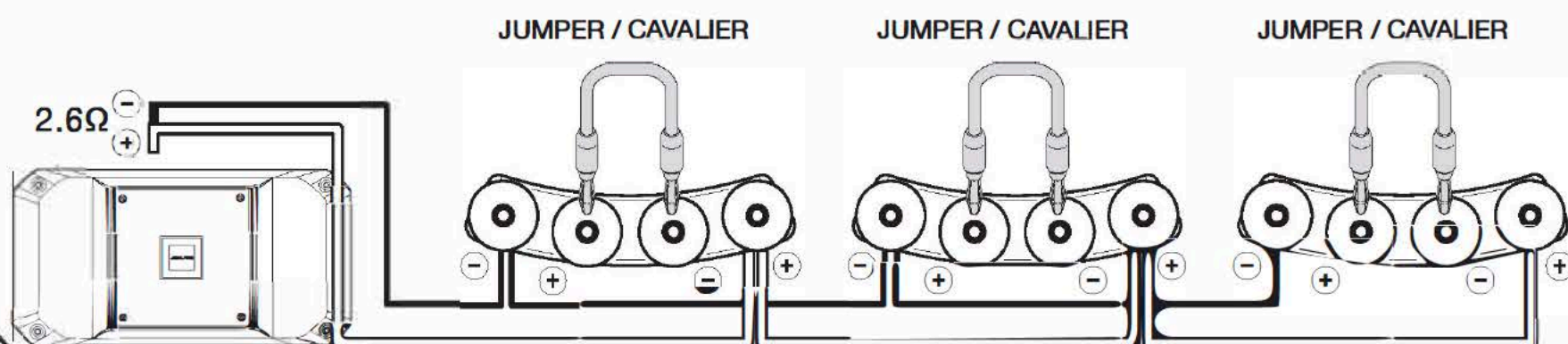
**Example 3** Two Amplifiers + One Subwoofer



**Example 5** One Amplifier + Two Subwoofers



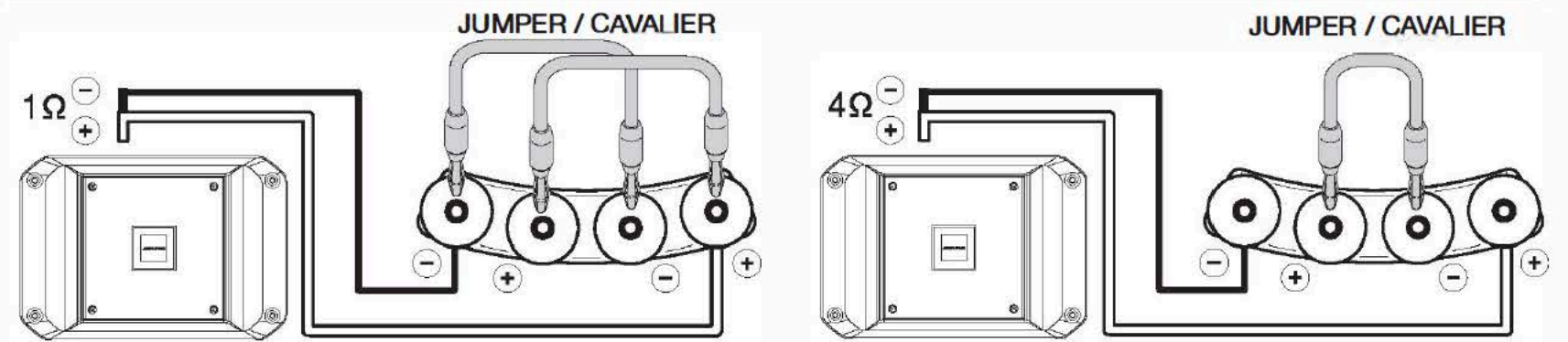
**Example 7** One Amplifier + Three Subwoofers



**2 + 2**

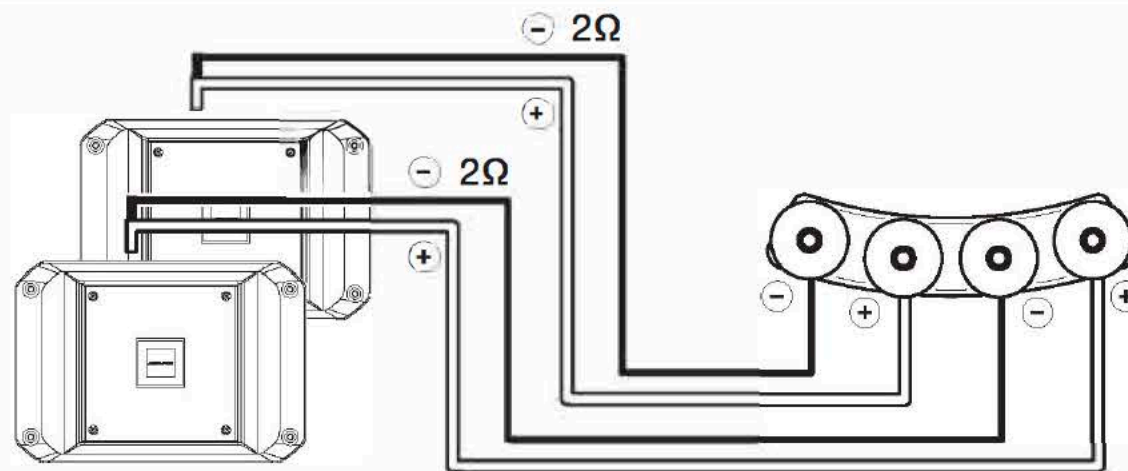
R2-W804/R2-W1004/R2-W1204  
R2-W802/R2-W1002/R2-W1202

**Example 2** One Amplifier + One Subwoofer

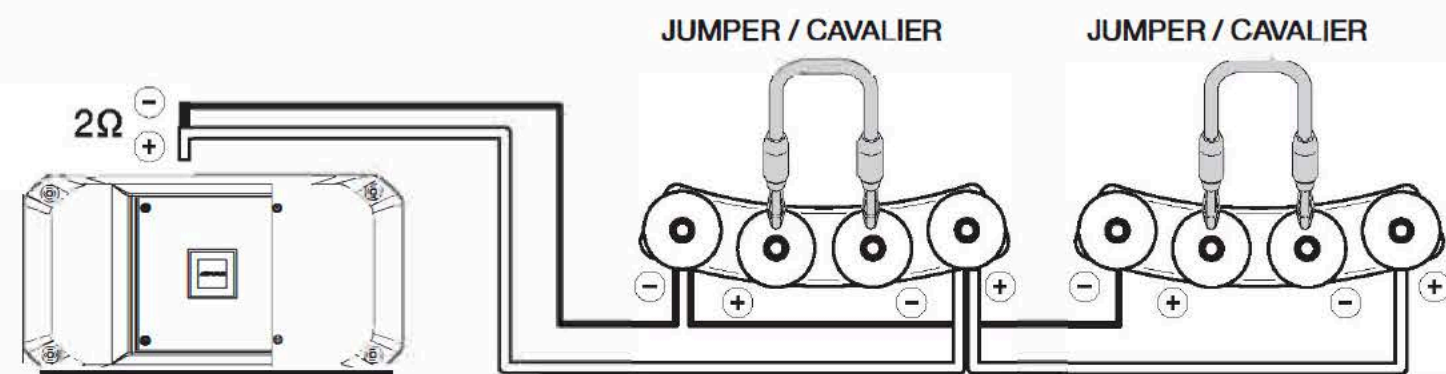


**Caution ! Consult amplifier owner's manual for 1Ω connection.  
Attention : lire le manuel de l'amplificateur pour la connexion à 1Ω .**

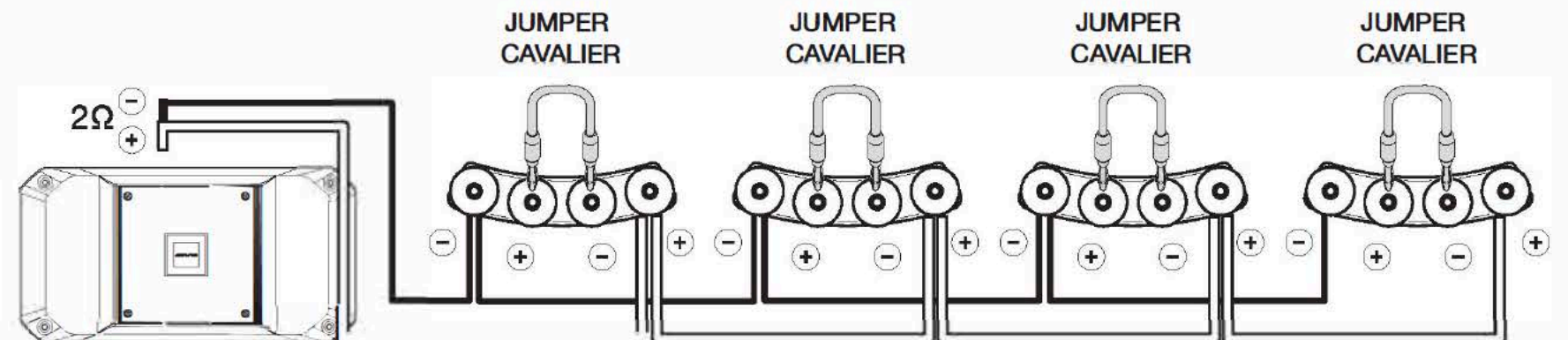
**Example 4** Two Amplifiers + One Subwoofer



**Example 6** One Amplifier and Two Subwoofers



**Example 8** One Amplifier + Four Subwoofers





General Specifications		
Sealed	Taille	
Frequency Response	Response en Fréquence	
Power Range	Plage de Puissance	
Power Handling	Puissance Admissible	
Magnet Weight	Poids de l'aimant	
Voice Coil Diameter	Diamètre de la bobine	
Thiel-Small Parameters		
Sensitivity (1W/1m)	Sensibilité (1W/1m)	SPL
DC Resistance	Résistance CC	$R_e$
Free Air Resonance	Résonance à l'air libre	$F_s$
Equivalent Stiffness	Raidier équivalente	$V_{as}$
Mechanical Q	Q Mécanique	$Q_{ms}$
Electrical Q	Q Électrique	$Q_{es}$
Total Q	Q Total	$Q_{ts}$
Cone Area	Surface du diaphragme	$S_d$
Linear Excursion	Displacement Linéaire	$X_{max}$ (1-way)
Mechanical Travel	Déplacement Mécanique	$X_{mech}$ (P-P)

R2-Series					
R2-W8D2	R2-W8D4	R2-W10D2	R2-W10D4	R2-W12D2	R2-W12D4
2Ω+2Ω	4Ω+4Ω	2Ω+2Ω	4Ω+4Ω	2Ω+2Ω	4Ω+4Ω
8"	10"		12"		
30Hz-200Hz	26Hz-200Hz		24Hz-200Hz		
150W-350W RMS	300W-750W RMS				
350W RMS (efficace) / 1000W PEAK (de crête)	750W RMS (efficace) / 2250W PEAK (de crête)				
56 oz	123 oz		144 oz		
40 mm (1.6")	65.5 mm (2.6")				
83.6 dB	83.7 dB	82.3 dB	82.8 dB	85.0 dB	84.6 dB
1.8Ω+1.8Ω	3.6Ω+3.6Ω	1.9Ω+1.9Ω	3.5Ω+3.5Ω	1.9Ω+1.9Ω	3.5Ω+3.5Ω
42 Hz	43 Hz	31 Hz	32 Hz	29 Hz	30 Hz
10.1L	10.5 L	18.2 L	18.2 L	36.9 L	32.8 L
7.69	7.08	7.07	6.50	6.32	6.51
0.52	0.58	0.5	0.52	0.44	0.55
0.48	0.53	0.47	0.48	0.41	0.51
201 cm <sup>2</sup>		333 cm <sup>2</sup>		479 cm <sup>2</sup>	
12mm		20mm			
52mm		70mm		72mm	

Note: Specifications subject to change without notice



		R2-W8D2/D4	R2-W10D2/D4	R2-W12D2/D4
Sealed Box Range	Net Internal Volume	0.15-0.45 ft <sup>3</sup>	0.4-0.85 ft <sup>3</sup>	0.55-1.0 ft <sup>3</sup>
Recommended Sealed Box	External Box Dimensions	13" x 13" x 5.5"	12" x 12" x 10.5"	14" x 14" x 11"
	Gross Internal Volume	0.30 ft <sup>3</sup>	0.58 ft <sup>3</sup>	0.85 ft <sup>3</sup>
	Net Internal Volume	0.25 ft <sup>3</sup>	0.50 ft <sup>3</sup>	0.75 ft <sup>3</sup>
	F3, Qtc	D2: 59 Hz, 0.73 D4: 59 Hz, 0.72	D2: 44 Hz, 0.70 D4: 42 Hz, 0.78	D2: 43 Hz, 0.65 D4: 39 Hz, 0.84
Vented Box Range	Net Internal Volume	0.25-0.7 ft <sup>3</sup>	0.75-1.3 ft <sup>3</sup>	1.0-1.5 ft <sup>3</sup>
	Tuning	36-40Hz	35-39Hz	33-37Hz
Recommended Vented Box	External Box Dimensions	11" x 9.5" x 21"	13" x 11.5" x 25.25"	12.5" x 14" x 25.5"
	Gross Internal Volume	0.86 ft <sup>3</sup>	1.58 ft <sup>3</sup>	1.91 ft <sup>3</sup>
	Vent Area (dimensions)	8 in <sup>2</sup> (8" x 1")	15 in <sup>2</sup> (10" x 1.5")	18.75 in <sup>2</sup> (12.5" x 1.5")
	Vent length	17.5"	19.5"	22"
	Vent Displacement	0.13 ft <sup>3</sup>	0.25 ft <sup>3</sup>	0.36 ft <sup>3</sup>
	Net Internal Volume (Vb)	0.68 ft <sup>3</sup>	1.25 ft <sup>3</sup>	1.45 ft <sup>3</sup>
	F3, ripple, Fb	D2: 33 Hz, 2.5 dB, 39 Hz D4: 32 Hz, 3.2 dB, 39 Hz	D2: 29 Hz, 6.0 dB, 37 Hz D4: 29 Hz, 6.3 dB, 37 Hz	D2: 29 Hz, 4.3 dB, 36 Hz D4: 28 Hz, 5.8 dB, 36 Hz

**Notes:**

1) Recommended enclosure net internal volume is based upon 3/4" (19mm) MDF enclosure construction.

2) Consult the table below for alternative enclosure net internal volume calculation.

Front Mount Displacement* (magnet in)	-0.050 ft <sup>3</sup>	-0.08 ft <sup>3</sup>	-0.10 ft <sup>3</sup>
Reverse Mount Added Volume* (magnet out)	+0.035 ft <sup>3</sup>	+0.05 ft <sup>3</sup>	+0.09 ft <sup>3</sup>

\*Based upon 3/4" (19mm) baffle thickness, with opening cut approximately to gasket inner diameter

		R2-W8D2/D4	R2-W10D2/D4	R2-W12D2/D4
Gamme Box Sealed	Net volume interne	0.15-0.45 pi <sup>3</sup>	0.4-0.85 pi <sup>3</sup>	0.55-1.0 pi <sup>3</sup>
Recommended Boîte Scellé	Dimensions extérieures	13 po x 13 po x 5.5 po	12 po x 12 po x 10.5 po	14 po x 14 po x 11 po
	Volume intérieur brut	0.30 pi <sup>3</sup>	0.58 pi <sup>3</sup>	0.85 pi <sup>3</sup>
	Volume intérieur Net ***	0.25 pi <sup>3</sup>	0.50 pi <sup>3</sup>	0.75 pi <sup>3</sup>
	F3, Qtc	D2: 59 Hz, 0.73 D4: 59 Hz, 0.72	D2: 44 Hz, 0.70 D4: 42 Hz, 0.78	D2: 43 Hz, 0.65 D4: 39 Hz, 0.84
Gamme charge bass-reflex	Volume net interne	0.25-0.7 pi <sup>3</sup>	0.75-1.3 pi <sup>3</sup>	1.0-1.5 pi <sup>3</sup>
	mise au point	36-40Hz	35-39Hz	33-37Hz
Recommended charge bass-reflex	Dimensions extérieures	11 po x 9.5" po x 21 po	13 po x 11.5 po x 25.25 po	12.5 po x 14 po x 25.5 po
	Volume intérieur brut	0.86 pi <sup>3</sup>	1.58 pi <sup>3</sup>	1.91 pi <sup>3</sup>
	Aire de l'évent (dimensions)	8 po <sup>2</sup> (8 po x 1 po)	15 po <sup>2</sup> (10 po x 1.5 po)	18.75 po <sup>2</sup> (12.5 po x 1.5 po)
	Longueur de l'évent	17.5 po	19.5 po	22 po
	déplacement de l'évent	0.13 pi <sup>3</sup>	0.25 pi <sup>3</sup>	0.36 pi <sup>3</sup>
	Volume intérieur Net (Vb)***	0.68 pi <sup>3</sup>	1.25 pi <sup>3</sup>	1.45 pi <sup>3</sup>
	F3, crête, Fb	D2: 33 Hz, 2.5 dB, 39 Hz D4: 32 Hz, 3.2 dB, 39 Hz	D2: 29 Hz, 6.0 dB, 37 Hz D4: 29 Hz, 6.3 dB, 37 Hz	D2: 29 Hz, 4.3 dB, 36 Hz D4: 28 Hz, 5.8 dB, 36 Hz

**Notes:**

1) Recommandé enceinte volume net interne est basée sur 3/4" (19mm) de construction boîtier en MDF.

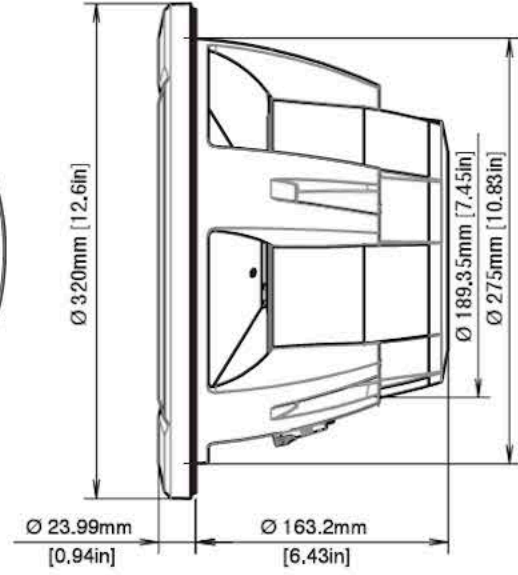
2) Consulter le tableau ci-dessous pour le calcul de filet d'enclos alternative volume interne.

Avant le déplacement du Mont * (aimant)	-0.050 ft <sup>3</sup>	-0.08 ft <sup>3</sup>	-0.10 ft <sup>3</sup>
Inverser Volume mont Ajouté * (des aimants)	+0.035 ft <sup>3</sup>	+0.05 ft <sup>3</sup>	+0.09 ft <sup>3</sup>

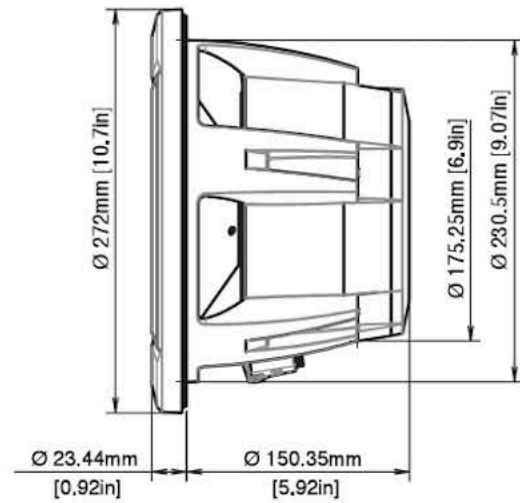
\* Sur la base de l'épaisseur du déflecteur 3/4" (19mm), avec une ouverture coupée à peu près à joint diamètre Intérieur



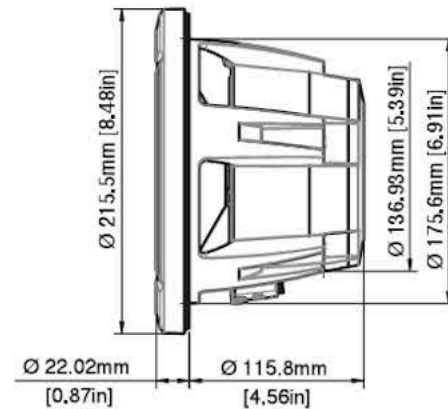
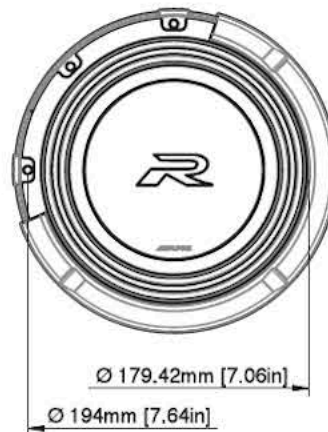
R2-W12D2  
R2-W12D4



R2-W10D2  
R2-W10D4



R2-W8D2  
R2-W8D4



**ALPS ALPINE (Head Office)**  
1-7, Yukigaya-otsukamachi, Ota-ku  
Tokyo, 145-8501  
TEL. +81(3)3726-1211

**ALPS ALPINE (Iwaki Office)**  
20-1 Yoshima-Industrial Park, Iwaki  
Fukushima Prefecture 970-1192  
TEL. +81(246)36-4111

**ALPS ALPINE NORTH AMERICA  
(Detroit Office)**  
1500 Atlantic Blvd  
Auburn Hills, Michigan 48326  
TEL. (248) 391-9950

**ALPS ALPINE EUROPE GmbH (Head Office)**  
Ohmstrasse 4, D-85716  
Unterschleissheim, Germany  
TEL. +49(89)321421-0

**ALPS ALPINE EUROPE GmbH (Sweden Office)**  
Gruvgatan 37, 421 30  
Vastra Frolunda, Sweden  
TEL. +46(31)758-3300

**ALPS ALPINE (China)**  
East 28F, Hanwei Plaza, No.7 Guanghua  
Street, Chaoyang District  
Beijing, 100004, P.R. of China  
TEL. +86(10)6539-3690 (Alps) /  
+86(10)6566-0308 (Alpine Electronics)

**ALPS ALPINE EUROPE GmbH  
(France Office)**  
Parc d'Activités Paris Nord II 184,  
allée des érables BP 68125 Villepinte 95975  
Roissy Charles de Gaulle Cedex, France  
TEL. +33(148)631-290

**ALPS ALPINE EUROPE GmbH (Italy Office)**  
Viale C. Colombo 8, 20090  
Trezzano sul Naviglio (MI), Italy  
TEL. +39(02)90394-559

**ALPS ALPINE EUROPE GmbH (UK Office)**  
Aurora House, Deltic Avenue, Rooksley,  
Milton Keynes, MK13 8LW, U.K.  
TEL. +44(1908)354-210

**ALPS ALPINE ASIA**  
The 9th Towers, Tower B, 24th Floor,  
Unit TNB01-03, 33/4 Rama 9 road  
Huay Kwang, Bangkok, 10310, Thailand  
TEL. +66(2)090-9596

**ALPINE ELECTRONICS OF AUSTRALIA**  
161-165 Princes Highway  
Hallam Victoria, Australia 3803  
TEL. +61(3)8787-1200

Printed in CHINA